



SWALE OCEANOGRAPHIC

Pop-Up Buoy Kits for Bottom Mount and Anchor Recovery

875/R500-PUB and 875/R500-PUBdeep



Mooring Systems originally designed the 875-PUB for Benthos in the 1990s making this system the longest in production than any other product on the market. The 875 and newer R500 releases use identical mechanical parts allowing immediate compatibility. The 875/R500-PUBdeep utilizes the same latch mechanism but in a larger aluminum rope canister for increased capacity and with deep-water plastic floats. Please refer to the Teledyne Benthos acoustic release brochure for housing depth rating, battery life, and acoustic specifications.

875/R500-PUB:

Flotation Material Type	Syntactic, 300m depth rated
Float Shape	Ellipsoid, 16"x7.5" (406mm x 190mm)
Float Net Buoyancy	18 lbs. (8 kg), released from canister
Lifting Bail Material	Type 316 stainless
Rope Canister Material	Urethane (molded)
Anchoring Bail Material	Type 316 stainless with isolator
Overall PUB Height	22" (558 mm)
Overall PUB Air Weight	22 lbs. (10 kg)
Rope Type	Spectra/Dyneema 12-strand
Rope Option 1:	75 metres of 1/4" (6.35mm)
Rope Option 2:	120 metres of 3/16" (4.76mm)
Rope Option 3:	150 metres of 5/32" (3.96mm)

Ellipsoid Float on Release

Canister with rope

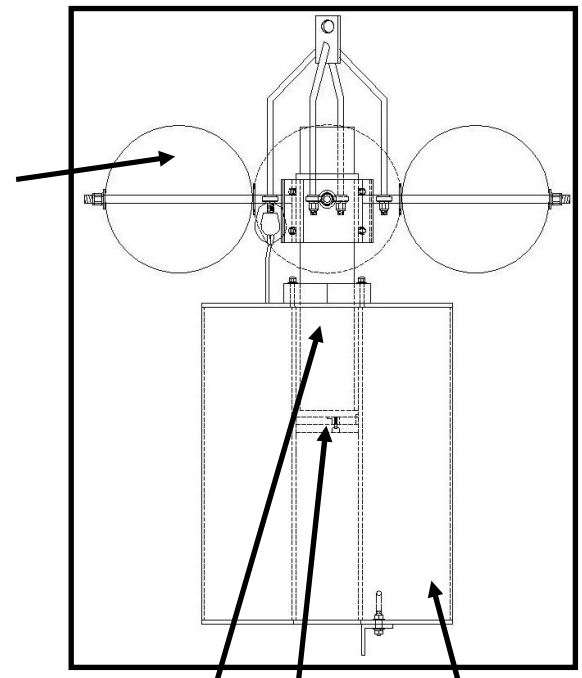


875/R500-PUBdeep:

4x Plastic Float Standard Buoyancy

Flotation Material Type	Plastic, 1000 m depth rated
Float Shape	Spherical, (4) x 9.5" dia. (242mm)
Standard Float Buoyancy	30 lbs. (13.6kg), released from canister
Optional Float Buoyancy	150 lbs. (68kg), released from canister
Upper Bail Material	Type 316 stainless
Upper Bail Max Load	150 lbs. (70kg) using standard float
Rope Canister Material	Type 6061 Aluminum with Zinc Anode
Anchoring Bail Material	Type 316 stainless with isolator
Anchor Bail Max Load	500kg anchor lifting through rope
Overall PUB Height	41" (1041 mm)
Overall PUB Air Weight	65 lbs. (30 kg)
Rope Type	Spectra/Dyneema 12-strand
Rope Option 1:	300 metres of 1/4" (6.35mm)
Rope Option 2:	500 metres of 3/16" (4.76mm)

875/500-PUBdeep Assembly Side View



Acoustic Release

Latch

Rope Canister

SWALE TECHNOLOGIES Ltd

Unit 51G, Rm48 Whitehill & Bordon Enterprise Park, Budds Lane, Bordon, GU35 0FJ, UK
 Tel: +44 (0)1420 473334 Email: Sales@swaletechnologies.com www.swaleocean.co.uk